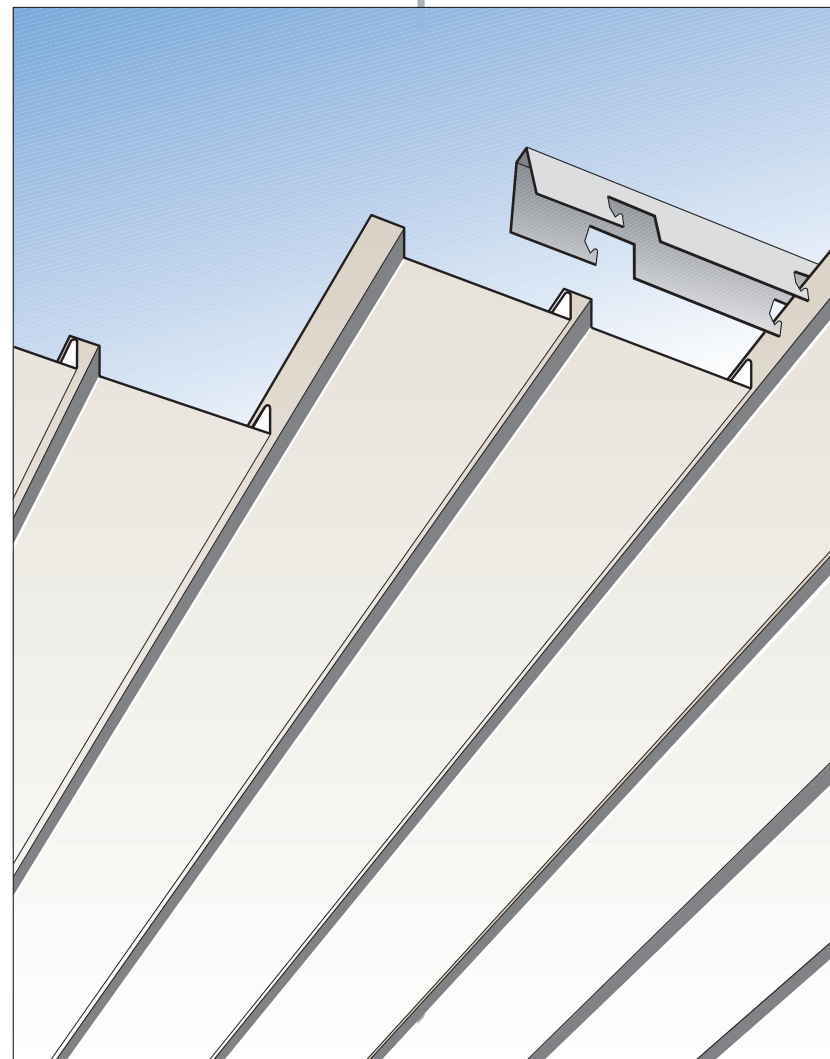




ShanghaiProfil

# Fermulam F285H-30L

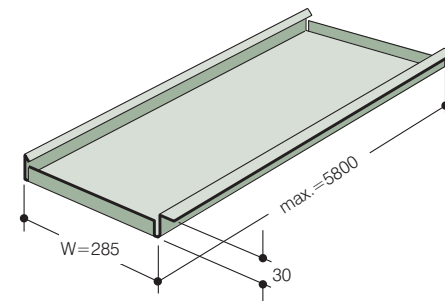
METAL CEILING PLANKS  
(side hung system)



ShanghaiProfil Metal Ceiling Co., Ltd.  
No. 30, Lane 1125, Nanliu Road,  
Pudong New Area, 201300 Shanghai  
P.R. China

Tel: (+86)-21-5803 3985  
E-mail: info@shanghaiprofil.com  
Fax: (+86)-21-5803 3990  
Internet: www.shanghaiprofil.com

1



Cold roll formed aluminium or zinc coated mild steel in 0.7mm and 0.6mm thicknesses respectively. Perforated planks to have black tissue lining bonded to rear of plank.

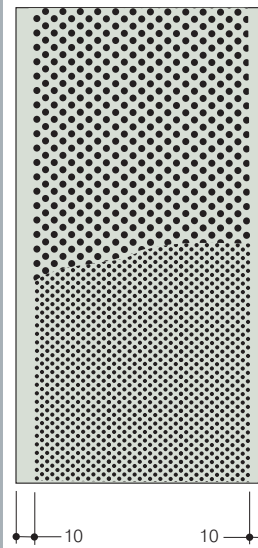
**Standard finish:** stove enamel polyester paint in matt, semi gloss or full gloss (see colour chart).

**Colours:** standard white similar RAL 9010.

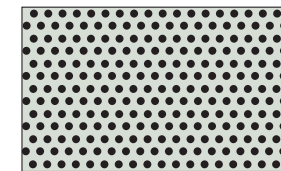
**Special finishes:** subject to minimum order quantity.

**Standard length:** to order between 1000mm min. and 5800mm max.

**Insulation pad:** see item (4).

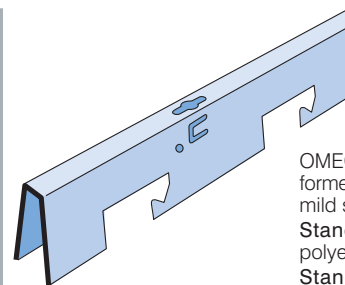


**STANDARD PERFORATION (zonal)**  
2mm diameter holes on diagonal grid 16.9% open area.



**MICRO PERFORATION (zonal)**  
1.3mm diameter holes on diagonal grid 22% open area.

2



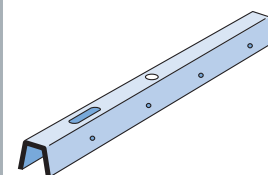
**OMEGA H55 carrier** in cold roll formed 0.8mm thick galvanised mild steel.

**Standard finish:** matt black polyester stove enamel paint..

**Standard length:** 4000mm.

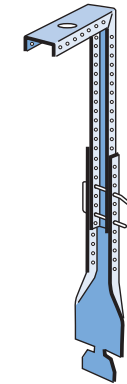
**Overall size:** 55mm deep x 30mm wide.

2A



**Channel coupler** for OMEGA H55 carrier in 0.6mm thick galvanised mild steel x 445mm long.  
Finish as carrier.

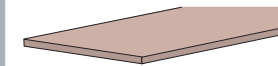
3



**VERNIER hanger** 2mm thick galvanised mild steel. Two part assembly with pins.

**Standard length:** various between 200mm min. and 1000mm max. ceiling void depths.

4

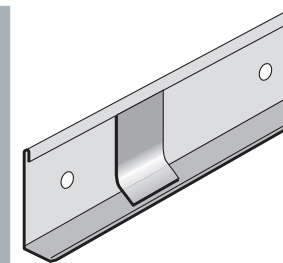


Perforated panels to have black tissue lining bonded to rear of panel.

Insulation pads fitted in panel on site when specified.

Standard 30mm thick 55kg/m<sup>3</sup> with black tissue face.

5



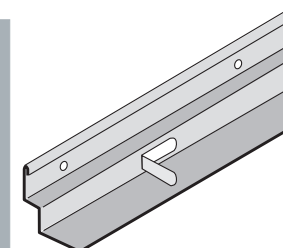
Perimeter angle trim in cold roll formed 0.6mm thick galvanised mild steel.

**Standard finish:** white or black semi gloss stove enamel polyester paint.

**Standard length:** 4000mm.

**Overall size:** 40mm deep x 20mm wide.

6



Perimeter shadow line angle trim in steel, finish and lengths as (5).

**Overall size:**

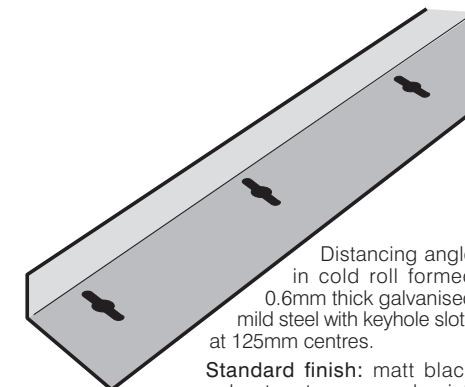
44 mm deep x 36.5 mm wide (24 x 12.5 x 20 x 24 mm). Shadow gap width = 12.5 mm.

7

10

Reference number allocation to a component is based on its function in the system. No FERMULAM F285H30-L components suit 7-10 classification.

11



**Distancing angle** in cold roll formed 0.6mm thick galvanised mild steel with keyhole slots at 125mm centres.

**Standard finish:** matt black polyester stove enamel paint.

**Standard length:** 4000mm.

**Size:** 15mm x 50mm.

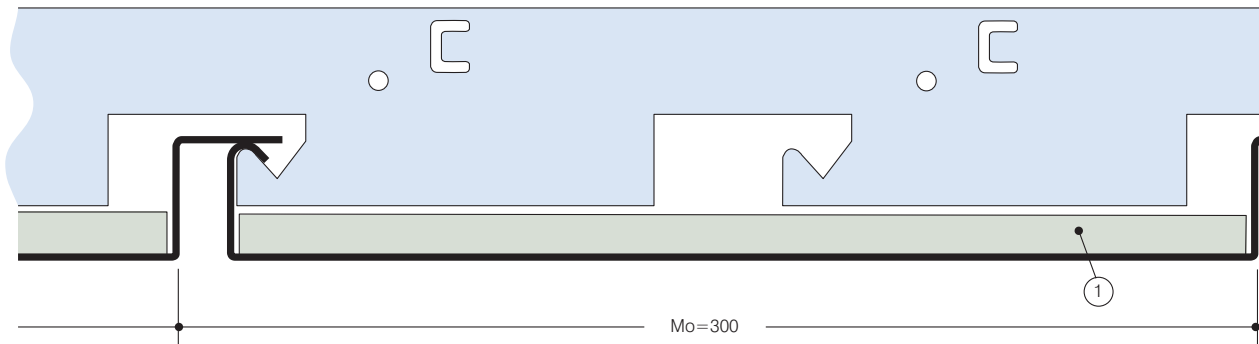


Fig.1 FERMULAM plank type F285H-30L in cross section.

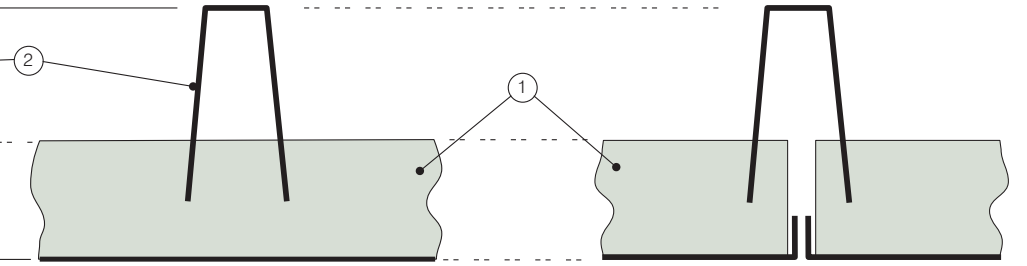


Fig.2 OMEGA HS 55 carrier in cross section. INTERMEDIATE POSITIONS.

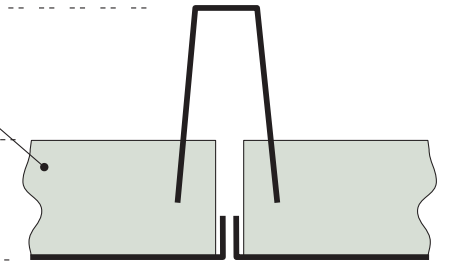


Fig.3 OMEGA HS 55 carrier in cross section. PLANK END ALIGNMENT.

Suspended from the structural soffit by adjustable hangers (3) (Fig. 6) OMEGA H55 carriers (2) (Figs. 1, 2, 3, 6 & 8) contain cutout features within which the sides of F285H30-L (1) planks are hung. The cutout clearances are sufficient to allow for the lifting, tilt and side movement

required for demounting the planks. Butt jointed ends of planks (1) must be aligned with an OMEGA H55 carrier (2) (Figs. 3 & 8).

Distancing angles (11) (Fig. 6) are fixed to and across the tops of OMEGA H55 carriers (2) at max. 3000mm centres to

rigidize the ceiling structure. Either of the perimeter angles (5) (Fig. 5) or (6) (Fig. 4) can be used to cloak the cut edges of FERMULAM planks at walls and other abutments. The edges are held down by clips on angle (5) or by pull out tabs on angle (6).

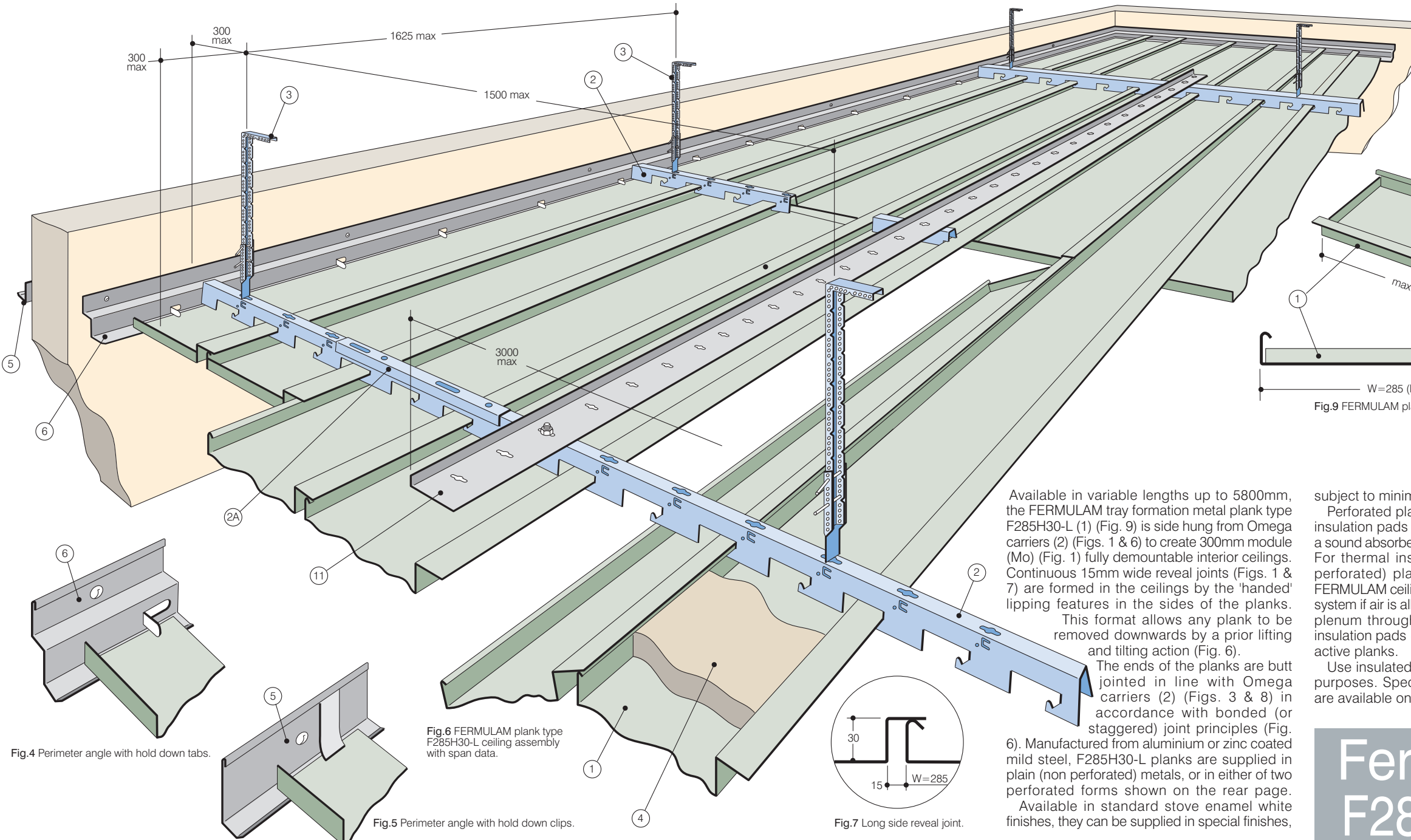


Fig.4 Perimeter angle with hold down tabs.

Fig.5 Perimeter angle with hold down clips.

Fig.6 FERMULAM plank type F285H30-L ceiling assembly with span data.

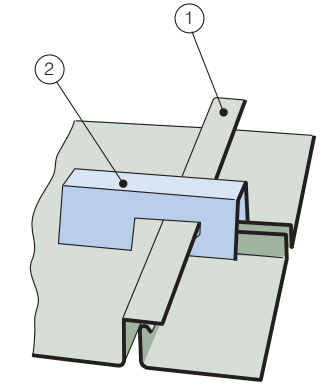


Fig.8 Close up view of PLANK END ALIGNMENT.

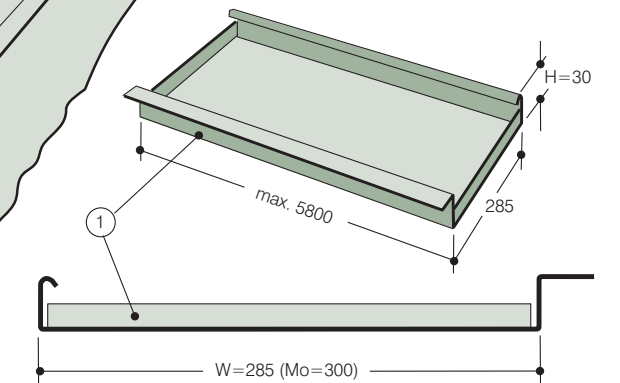


Fig.9 FERMULAM plank type F285H30-L.

Available in variable lengths up to 5800mm, the FERMULAM tray formation metal plank type F285H30-L (1) (Fig. 9) is side hung from Omega carriers (2) (Figs. 1 & 6) to create 300mm module (Mo) (Fig. 1) fully demountable interior ceilings. Continuous 15mm wide reveal joints (Figs. 1 & 7) are formed in the ceilings by the 'handed' lipping features in the sides of the planks.

This format allows any plank to be removed downwards by a prior lifting and tilting action (Fig. 6).

The ends of the planks are butt jointed in line with Omega carriers (2) (Figs. 3 & 8) in accordance with bonded (or staggered) joint principles (Fig. 6). Manufactured from aluminium or zinc coated mild steel, F285H30-L planks are supplied in plain (non perforated) metals, or in either of two perforated forms shown on the rear page.

Available in standard stove enamel white finishes, they can be supplied in special finishes,

subject to minimum order quantity.

Perforated planks incorporating inert fibrous insulation pads (4) (Fig. 6) are specified where a sound absorbent ceiling membrane is required. For thermal insulation purposes, plain (non perforated) planks with pads can be used. FERMULAM ceilings can act as an air distributing system if air is allowed to flow from a pressurised plenum through holes in the planks. Sealed insulation pads (4) (Fig. 6) must be used in non active planks.

Use insulated steel planks for fire protection purposes. Specification details and test data are available on request.

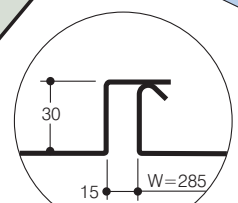


Fig.7 Long side reveal joint.

**Fermulam**  
**F285H30-L**