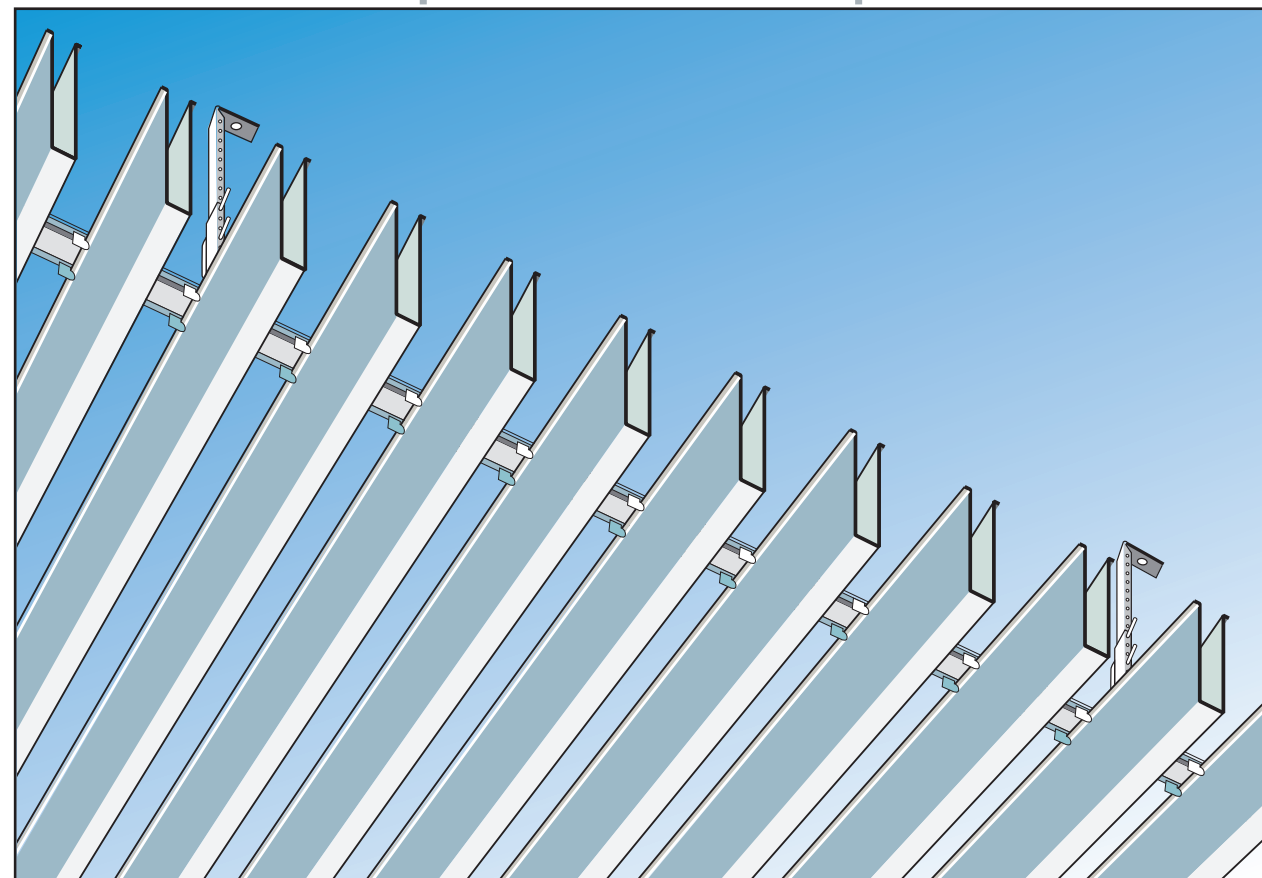




ShanghaiProfil

Ucranlux

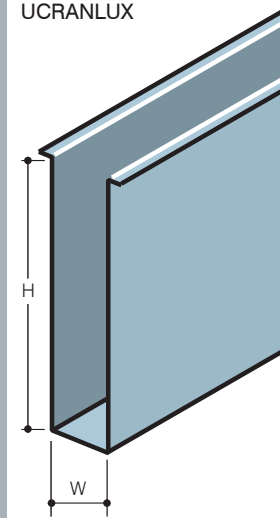
LINEAR METAL SCREEN PROFILES



ShanghaiProfil Metal Ceiling Co., Ltd.
No. 30, Lane 1125, Nanliu Road,
Pudong New Area, 201300 Shanghai
P.R. China

Tel: (+86)-21-5803 3985
E-mail: info@shanghaiprofil.com
Fax: (+86)-21-5803 3990
Internet: www.shanghaiprofil.com

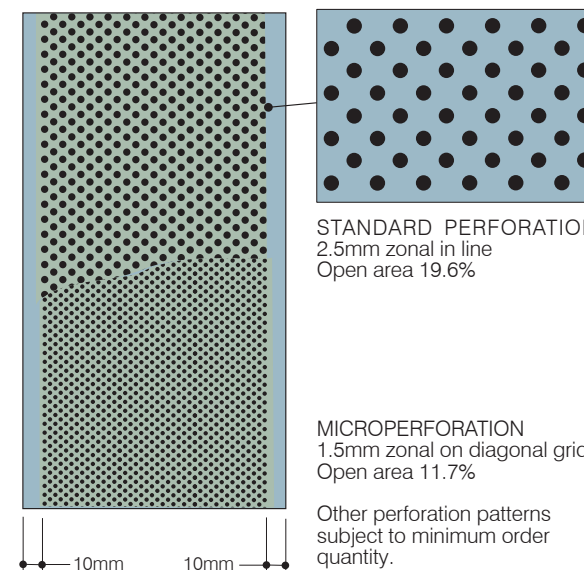
1 UCRANLUX



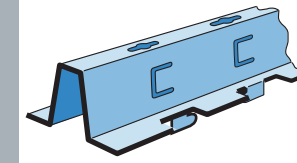
Prepainted aluminium or galvanised mild steel in thicknesses shown in Table 1 with 6,5mm outward borders.
Standard finish: stove enamel polyester paint in matt, semi-gloss and full gloss or polyester powder coating for steel profiles.
Standard color: White similar RAL 9010.
Subject to requirements, perforated profiles may have black tissue lining bonded to their internal surfaces.
Max. length: 4000mm

Table 1 UCRANLUX profile sizes and metal thicknesses.
W = profile width mm
H = profile height mm
Al = aluminium thickness mm
St = steel thickness mm

Type	W	H	Al	ST	Module
U20x100	20	100	0.6	0.6	100
U20x120	20	120	0.7	0.7	120
U20x135	20	135	0.7	0.7	150
U20x150	20	150	0.8	0.8	150
U30x100	30	100	0.6	0.6	100
U30x120	30	120	0.7	0.7	120
U30x135	20	135	0.7	0.7	150
U30x150	30	150	0.8	0.8	150
U40x100	40	100	0.6	0.6	100
U40x120	40	120	0.7	0.7	150
U40x135	20	135	0.8	0.8	200
U40x150	40	150	1.0	0.8	250
U50x100	50	100	0.6	0.6	100
U50x120	50	120	0.7	0.7	150
U50x135	20	135	0.8	0.8	200
U50x150	50	150	1.0	0.8	250

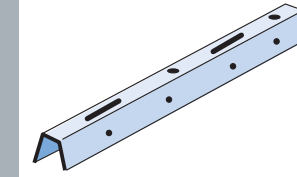


1A



OMEGA carriers in cold roll formed 0.8 thick galvanised mild steel. Tongue spacings to fit UCRANLUX profiles width and module.
Overall size: 25mm deep x 53mm wide.
Standard finish: Matt black polyester stove enamel paint.
Standard length: 4000mm.

2



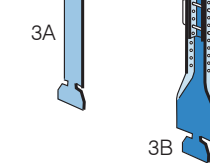
Channel coupler for OMEGA carriers in 0.6 thick galvanised mild steel. Length to fit tongue module.
Finish: as OMEGA carrier.

3A



Butterfly suspension key hanger in 1.5mm thick galvanised mild steel with spring clips and 4mm dia. rod. Standard lengths: various between 125mm min. and 1000mm max. ceiling void depths.

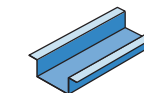
3B



Nonius hanger upper section in 1.0mm thick galvanised mild steel, paint finished, with 1.25mm thick galvanised mild steel bracket and 2.5mm dia. steel looped security pin.

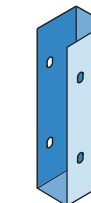
Standard lengths: 2000mm upper section Nonius hanger has section edges vee notched to provide easy break positions at 62mm centres.

4



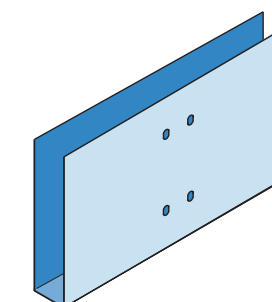
Panel distancer for UCRANLUX. Width and material according to profiles.

5



End Cap for UCRANLUX baffles. Size, material and finish according to profiles

6



Baffle Coupler for UCRANLUX baffles. Size and material according to profiles.

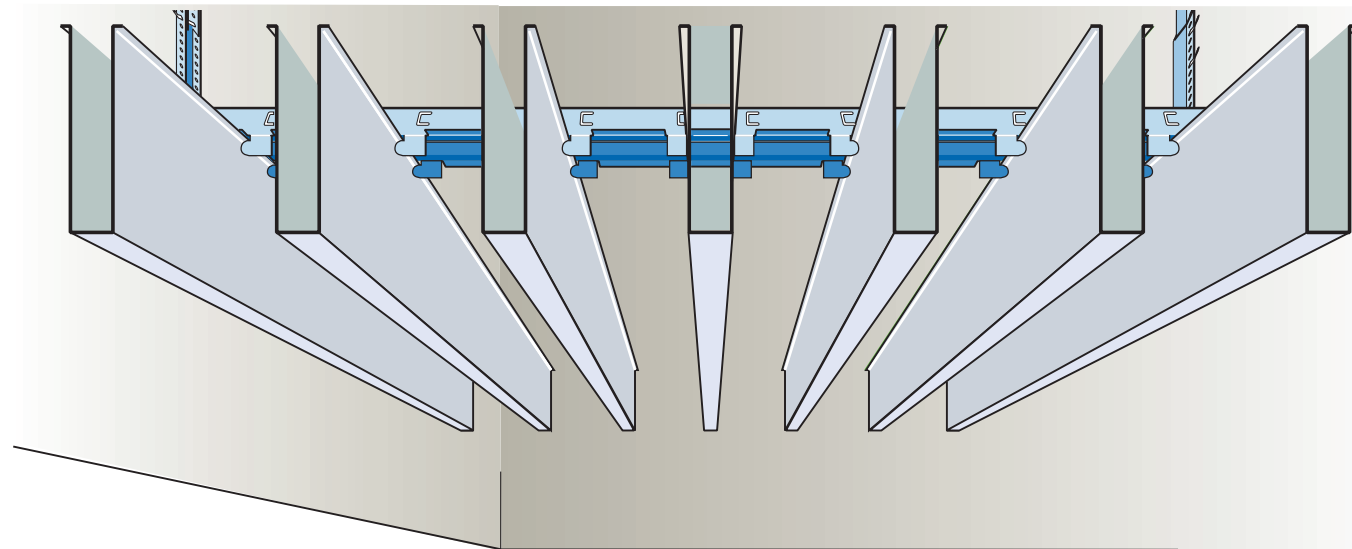
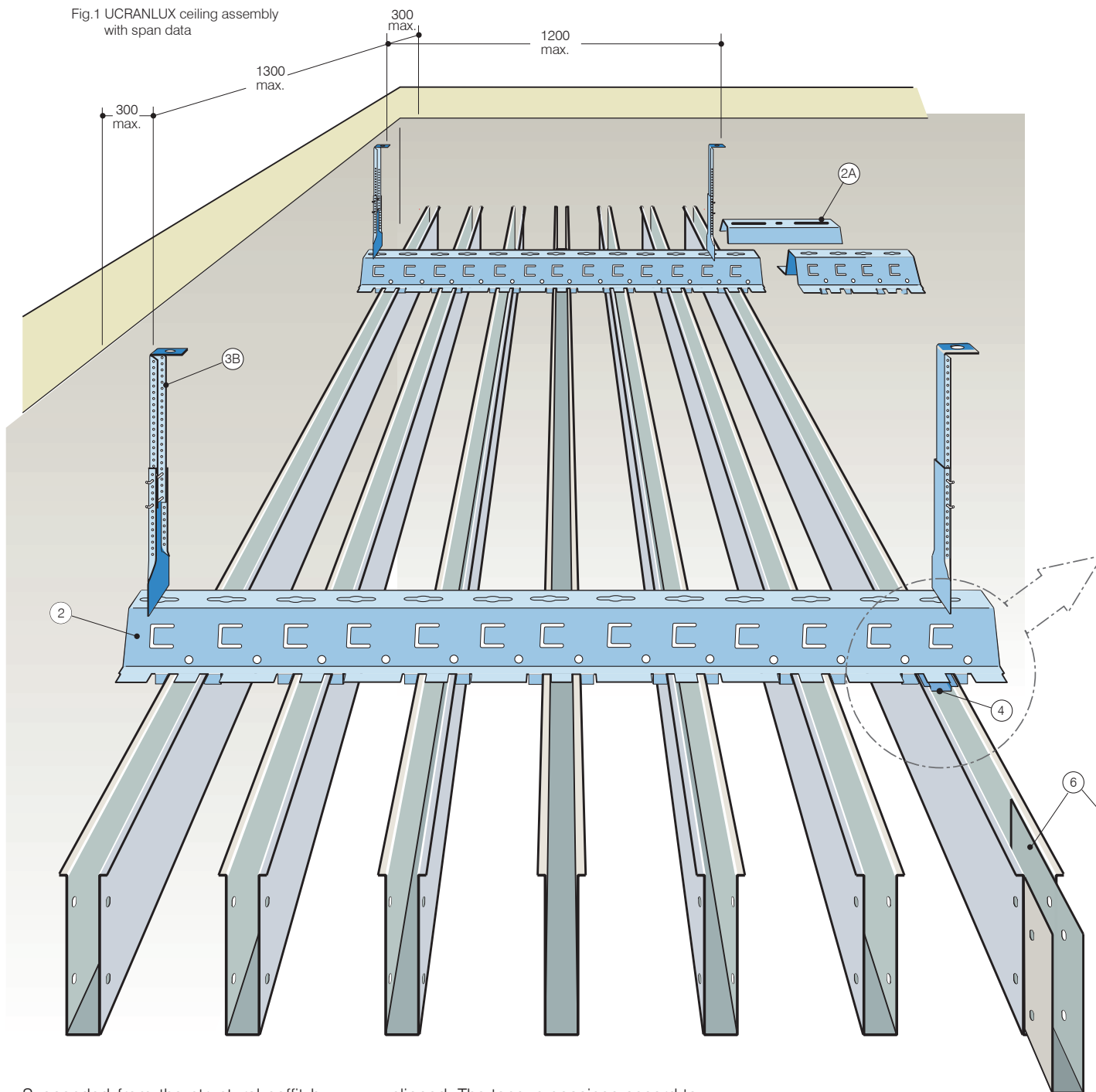


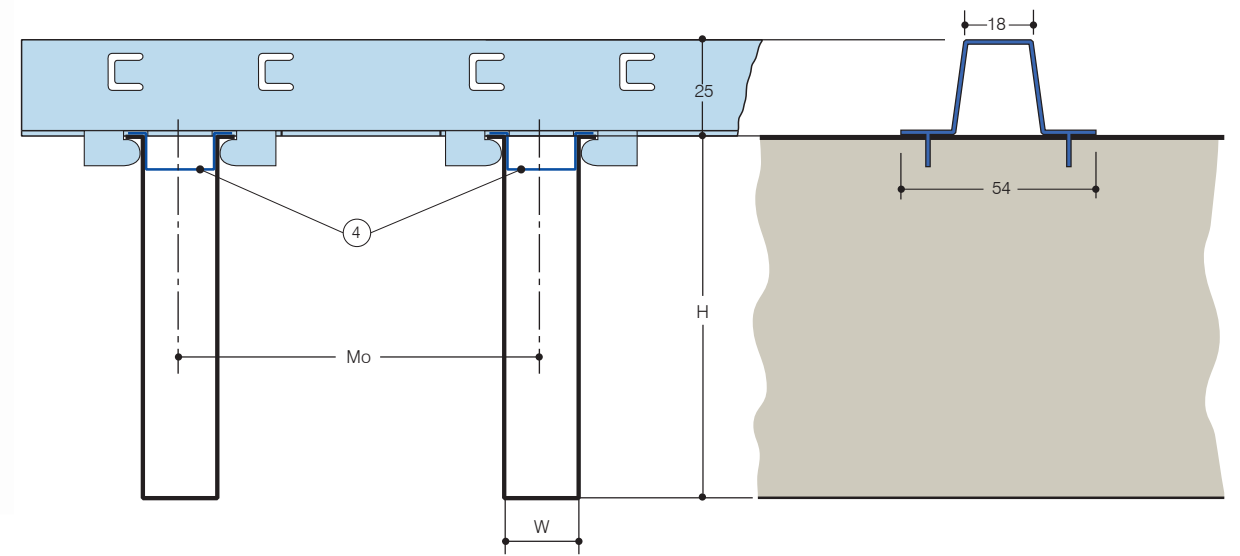
Fig.1 UCRANLUX ceiling assembly with span data



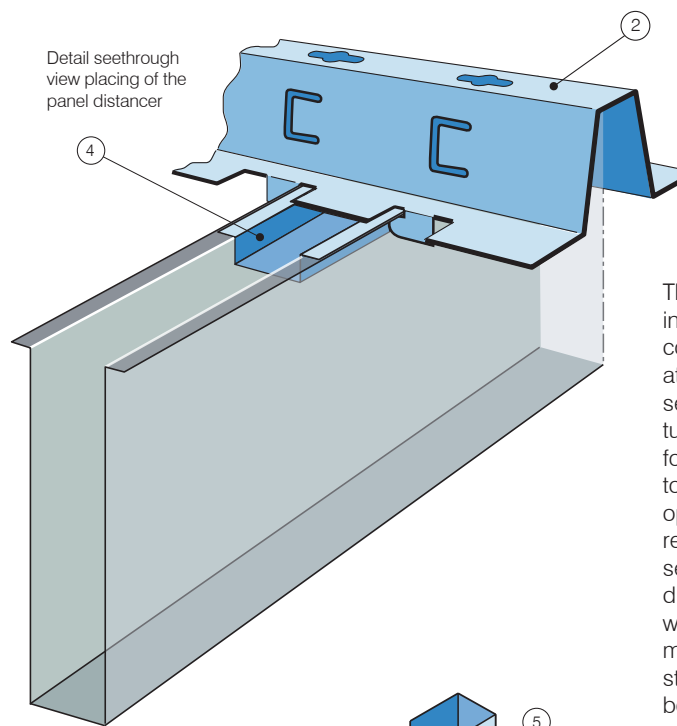
Suspended from the structural soffit by adjustable hangers (3B) or (3A) (see rear page), Omega carriers (2) [Figs. 1 & 2] contain preformed tongues in their base, between which UCRANLUX profiles are

clipped. The tongue spacings accord to profile width and module. The open ends of UCRANLUX profiles can be optionally covered by end caps (5) or joined by baffle couplers (6).

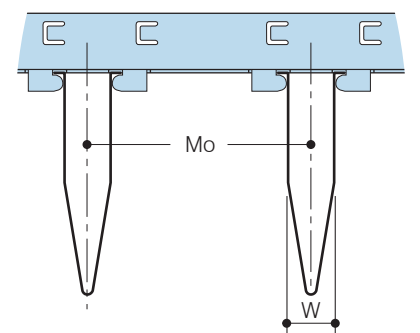
Fig.2 UCRANLUX Profile scale 1:2



Panel distancers (4) must be used to stabilize the width of the baffles and secure the fixation depending on material thickness.



Optional conical baffles available



The UCRANLUX system produces linear screen effect interior ceilings having the semblance of an overall continuous directional grill. Linear emphasis can be attuned to individual building designer preference by selecting from an extensive range of options. Manufactured from light gauge aluminium or mild steel, deep U formation UCRANLUX profiles (1) are fixed as shown to suspended carriers (2) [Figs. 1 & 2] to create an open gap structure. 16 standard sizes of profile, each referenced according to its width (W) and height (H), see Table 1, are available with carriers in corresponding modules, providing multiple choices of profile width, height and gap width. By selecting a preferred module and profile width, but varying the profile height, stepped or wave formation ceiling sections can also be created.

UCRANLUX profiles are supplied in plain (non-perforated) metals or in either of two perforated forms shown on the rear page. They are available in standard color stove enamel finish or polyester powder coating, special finishes being subject to minimum order quantity. Perforated profiles with acoustic fleece bonded to their internal surface act as sound absorbing membranes. Sound absorption can also be achieved by perforated profiles overlaid with inert fibrous insulation material.

UCRANLUX profiles can be supplied in a large variety of non-standard sizes and modules, subject to minimum order quantity.

Generally speaking the ends of UCRANLUX profiles are terminated a consistent distance from walls perpendicular to their linear axis to form a floating edge effect, however, where this is considered inappropriate, perimeter angles can be used to cloak cut edges of UCRANLUX profiles.

Ucranlux